

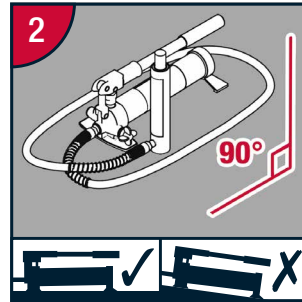


MULTIFUNCTIONAL TEMPORARY SUPPORT

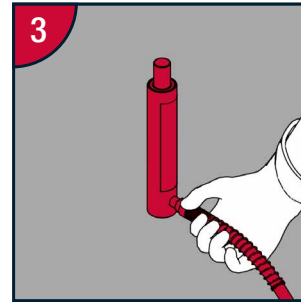
HYDRAULIC OPERATION



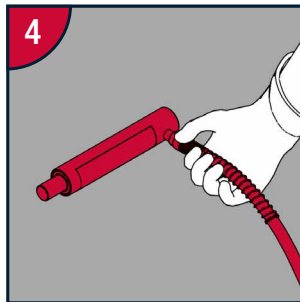
1 Remove the Hydraulic Assembly from the HDPE storage case.



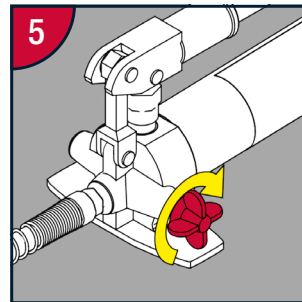
2 Ensure the Hydraulic Assembly is placed in a horizontal position or it will not function properly.



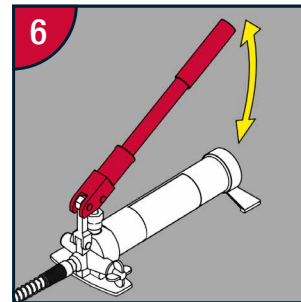
3 Hydraulic Assembly can be used vertically.



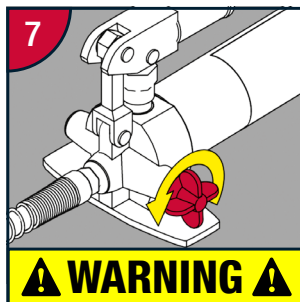
4 Hydraulic assembly can be used horizontally.



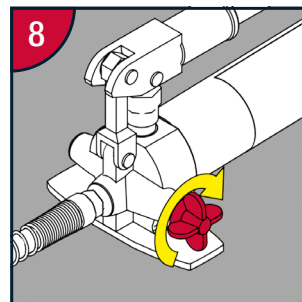
5 To engage, ensure flow valve is in the closed position.



6 Pump the handle to raise ram stick.



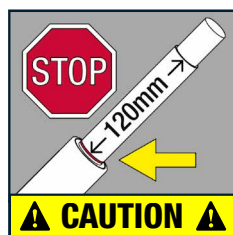
7 **WARNING**
To release ram stick, open flow valve. *Never rotate more than one full turn anti-clockwise.*



8 When making ready for storage, ensure flow valve is in the closed position.



9 Replace the Hydraulic Assembly in its case.



DO NOT USE EXCESSIVE FORCE WHEN PUMPING AS THIS MAY OVER PRESSURISE THE PUMP AND RAM.

Do not exceed the 120mm extension of the ram stick as this can lead to failure of the pump and/or ram and may invalidate your warranty.

For more information visit uni-prop.com or contact Uni-Prop on 0800 2545 456 or support@uni-prop.com

Uni-Prop International Ltd. 19 Holywells Road, Ipswich, IP3 0DL United Kingdom

Company Number: 10402933

VAT Number: 191 390 207