

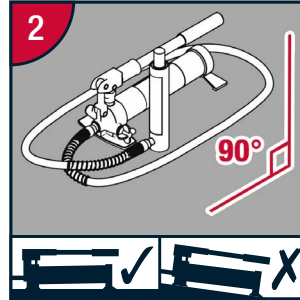


MULTIFUNCTIONAL TEMPORARY SUPPORT

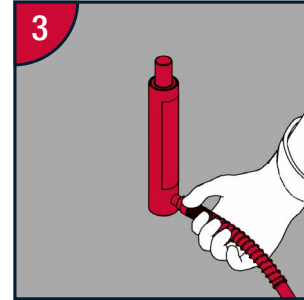
# HYDRAULIC OPERATION



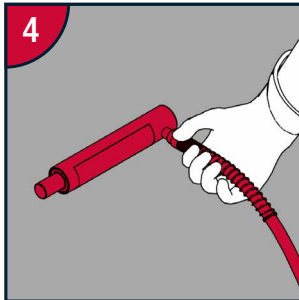
1  
Remove the Hydraulic Assembly from the HDPE storage case.



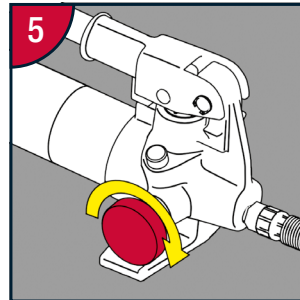
2  
Ensure the Hydraulic Assembly is placed in a horizontal position or it will not function properly.



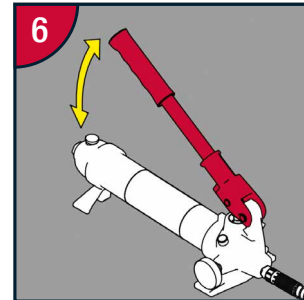
3  
Hydraulic Assembly can be used vertically.



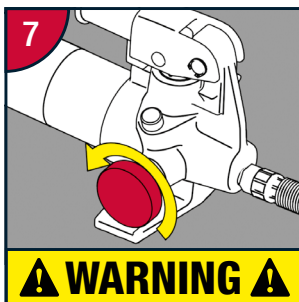
4  
Hydraulic Assembly can be used horizontally.



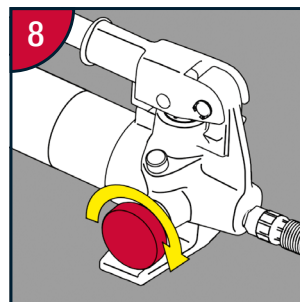
5  
To engage, ensure flow valve is fully closed (turn clockwise to close).



6  
Pump the handle to raise ram stick.



7  
To release ram stick, open flow valve. *Never rotate more than one full turn anti-clockwise.*



8  
When making ready for storage, ensure flow valve is in the closed position.



9  
Replace the Hydraulic Assembly in its case.



**THE FLOW VALVE MUST NEVER BE OVER-ROTATED WHEN DISENGAGING THE HYDRAULIC ASSEMBLY. A MAXIMUM OF ONE FULL TURN ANTI-CLOCKWISE WILL ALWAYS BE SUFFICIENT. IF OVER-ROTATED THE FLOW VALVE MAY BECOME DETACHED AND COMPROMISE THE PERFORMANCE AND WARRANTY.**

For more information visit [uni-prop.com](http://uni-prop.com) or contact Uni-Prop on 0800 2545 456 or [support@uni-prop.com](mailto:support@uni-prop.com)

Uni-Prop International Ltd. 19 Holywells Road, Ipswich, IP3 0DL United Kingdom

Company Number: 10402933

VAT Number: 191 390 207